



## **ORDERING INFORMATION MIL-C-5015 SERIES CONNECTORS**

- Multi contact circular connectors of durable proven design.
- Thread coupling aluminium alloy, with solder contacts.
- Single keyway with 1 to 104 contact arrangements.
- Particularly suitable for commercial and industrial applications requiring low cost reliable robust connectors.

**03 9585 1311**

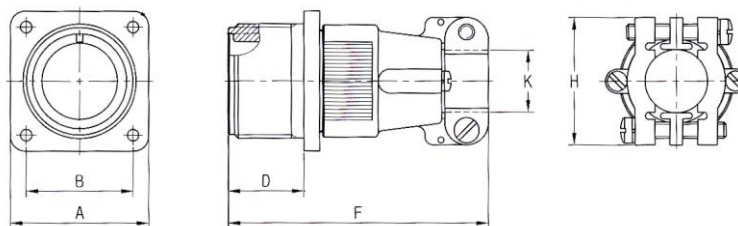
**[info@connectorworld.com.au](mailto:info@connectorworld.com.au)  
[www.connectorworld.com.au](http://www.connectorworld.com.au)**

# MIL-C-5015 SERIES CONNECTORS

## WALL MOUNTING RECEPTACLE

### MS 3100E / MS 3100F

Mates with 3106 & 3108 plugs.



Shell size	A	B	D	F	H	K Max
10SL	25.40	18.26	14.28	57.15	22.7	6.5
12S	27.79	20.62	14.28	57.15	22.7	6.5
14S	30.18	23.01	14.28	57.15	27.5	9
16S	32.54	24.61	14.28	57.15	30	11
16	32.54	24.61	19.05	66.68	30	11
18	34.93	26.97	19.05	68.28	32.2	14.2
20	38.10	29.36	19.05	69.85	37.5	15.8
22	41.28	31.75	19.05	69.85	37.5	15.8
24	44.45	34.93	20.63	75.41	43.3	21.4
28	50.80	39.67	20.63	76.99	43.3	21.4
32	57.15	44.45	22.23	76.99	51.7	26.7
36	63.50	49.23	22.23	83.34	58	31.7

## MIL-C-5015 SERIES CONNECTORS

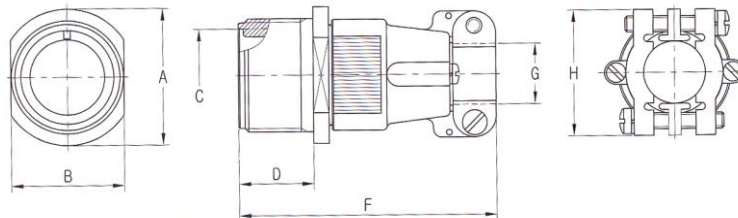
### CABLE CONNECTING PLUG

#### MS 3101E / MS 3101F

Receptacle with no mounting flange.

Used for cable to cable (in line) extensions.

Mates with 3106 & 3108 plugs.



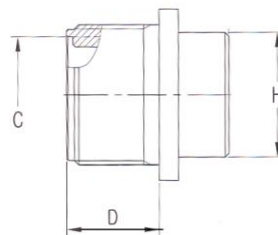
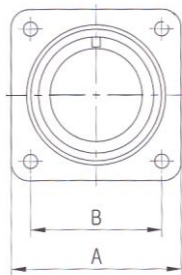
Shell size	A	B	C	D	F	G Max	H
10SL	21.8	16.2	11.38	14.28	57.15	6.5	22.7
12S	25	19.3	14.15	14.28	57.15	6.5	22.7
14S	28.2	22.5	17.33	14.28	57.15	9	27.5
16S	31.4	25.6	20.5	14.28	57.15	11	30
16	31.4	25.6	20.5	19.05	66.68	11	30
18	34.5	28.8	23.68	19.05	68.28	14.2	32.2
20	37.6	32	26.88	19.05	69.85	15.8	37.5
22	41	35.2	30.03	19.05	69.85	15.8	37.5
24	43.8	38.4	33.2	20.63	75.41	21.4	43.3
28	50.5	44.8	38.77	20.63	76.99	21.4	43.3
32	57	51.2	45.12	22.23	76.99	26.7	51.7
36	63.2	57.5	50.68	22.23	83.34	31.7	58

# MIL-C-5015 SERIES CONNECTORS

## BOX MOUNTING RECEPTACLE

### MS 3102E / MS 3102R

Mates with 3106 & 3108 plugs.



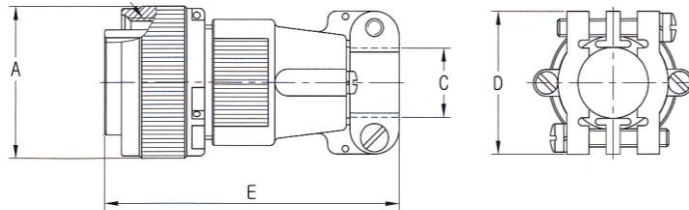
Shell size	A	B	C Dia	D	H Dia
10SL	25.40	18.26	11.38	14.28	15.9
12S	27.79	20.62	14.15	14.28	15.9
14S	30.18	23.01	17.33	14.28	19
16S	32.54	24.61	20.5	14.28	22.2
16	32.54	24.61	20.5	19.05	22.2
18	34.93	26.97	23.68	19.05	25.4
20	38.10	29.36	26.88	19.05	29
22	41.28	31.75	30.03	19.05	32.2
24	44.45	34.93	33.2	20.63	35.3
28	50.80	39.67	38.77	20.63	41.2
32	57.15	44.45	45.12	22.23	47.6
36	63.50	49.23	50.68	22.23	52.4

## MIL-C-5015 SERIES CONNECTORS

### STRAIGHT CABLE PLUG

#### MS 3106E / MS 3106F

Mates with 3100, 3102 receptacles & 3101 plugs.



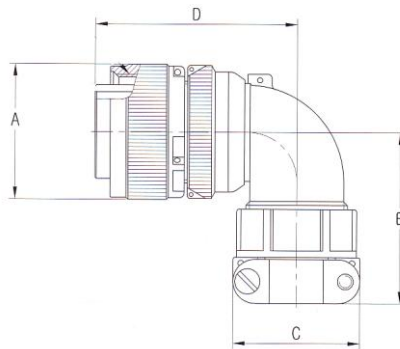
Shell Size	A	C Max	D	E
10SL	24.61	6.5	22.7	57.15
12S	26.97	6.5	22.7	57.15
14S	29.36	9	27.5	57.15
16S	31.75	11	30	57.15
16	31.75	11	30	66.68
18	34.13	14.2	32.2	68.28
20	37.31	15.8	37.5	69.85
22	40.48	15.8	37.5	69.85
24	43.66	21.4	43.3	75.41
28	50.01	21.4	43.3	76.99
32	56.36	26.7	51.7	76.99
36	62.71	31.7	58.0	83.34

## MIL-C-5015 SERIES CONNECTORS

### 90° ANGLE PLUG

#### MS 3108E / MS 3108F

Mates with 3100 & 3102 receptacles & 3101 plugs.



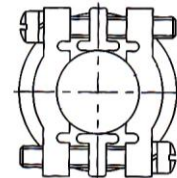
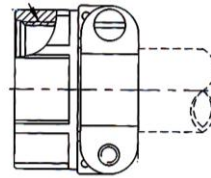
Shell Size	A	C	D	E
10SL	24.61	22.7	45	38.10
12S	26.97	22.7	45	38.10
14S	29.36	27.5	47	40.49
16S	31.75	30	48	42.88
16	31.75	30	57	42.88
18	34.13	32.2	58	45.24
20	37.31	37.5	61	50.01
22	40.48	37.5	61	50.80
24	43.66	43.3	66	53.97
28	50.01	43.3	66	55.58
32	56.36	51.7	72	65.89
36	62.71	58.0	75	69.06

## MIL-C-5015 SERIES CONNECTORS

### CABLE CLAMP

#### MS 3057

With or without bushing



	Fits shell size
MS3057.4A	10SL, 12S
MS3057.6A	14S
MS3057.8A	16, 16S
MS3057.10A	18
MS3057.12A	20, 22
MS3057.16A	24, 28
MS3057.20A	32
MS3057.24A	36
MS3057.28A	40

### RUBBER BUSHING

#### MS 3420

	Fits shell size
MS3420.4	10SL, 12S
MS3420.6	14S
MS3420.8	16, 16S
MS3420.10	18
MS3420.12	20,22
MS3420.16	24, 28
MS3420.20	32
MS3420.24	36
MS3420.28	40



## MIL-C-5015 SERIES CONNECTORS

### PROTECTIVE METAL CAP with sash chain

#### MS 20542

To suit cable plugs 3106 & 3108

	Suits Shell size
MS25042-10D	10SL
MS25042-12D	12S
MS25042-14D	14S
MS25042-16D	16S
MS25042-18D	18
MS25042-20D	20
MS25042-22D	22
MS25042-24D	24
MS25042-28D	28
MS25043-32D	32
MS25043-36D	36
MS25043-40D	40



#### MS 20543

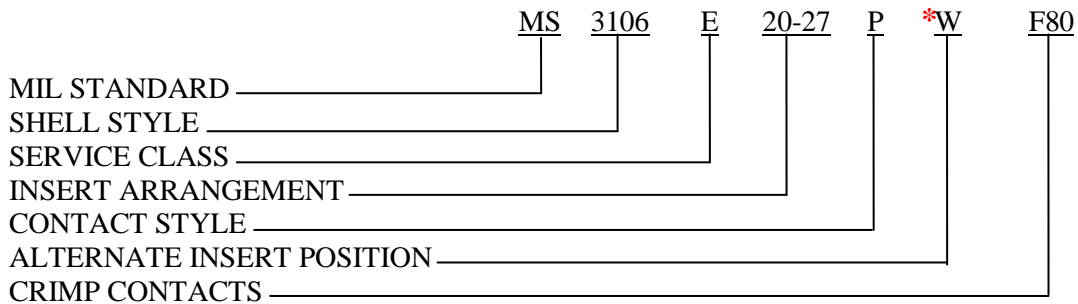
To suit receptacles 3100, 3101 & 3102

	Suits Shell size
MS25043-10D	10SL
MS25043-12D	12S
MS25043-14D	14S
MS25043-16D	16S
MS25043-18D	18
MS25043-20D	20
MS25043-22D	22
MS25043-24D	24
MS25043-28D	28
MS25043-32D	32
MS25043-36D	36
MS25043-40D	40





## MIL-C 5015 SERIES - ORDERING INFORMATION



### **SHELL STYLE:**

3100	Wall mounting receptacle
3101	Cable mounting receptacle
3102	Box mounting receptacle
3106	Straight plug
3108	90° angle plug

### **INSERT ARRANGEMENTS** (see pages 11 - 12)

#### **SERVICE CLASS: DESCRIPTION:**

A.	Solid shell, general purpose
B.	Split shell, general purpose
E.	Resilient insulator and integral cable clamp
F.	Same as E with O ring seal under coupling nut
R:	Same as F with shortened endbell

(E, F and R class – designed to operate in extreme environmental conditions, sealed to withstand moisture, condensation and vibration).

#### **CONTACT STYLE:**

P	Pin male
S	Socket female

#### **MATERIAL & FINISH**

Shell	Aluminium Alloy
Finish	Drab olive chromate over cadmium plating
Insulator	A & B class, Phenolic
Insulator	E, F & R class, Neoprene Rubber
Contacts	Brass on copper alloy
Finish	Silver plate
Termination	Solder contacts
Modification	applies to CA prefix numbers only
	F80 = crimp contacts

\* Alternate Insert Position (Polarization) w, x, y, z

**F80** Modification code provides crimp contacts terminations. The remaining components are identical to the standard connector.

Temperature range – 55c to 125c

## WIRING SERVICE DATA

---

Contact Size	Solder cup Dimensions	Wire size AWG	Current Capacity (Amps)		Potential Drop (millivolts)
			Contact unit	Assembled In Insulator	
16	1.80mm	16-22	22	13	49
12	2.90mm	12-14	41	23	42
8	5.00mm	8-10	73	46	26
4	8.00mm	4-6	135	80	23
0	11.50 mm	0-2	245	150	219

# MIL-C-5015

## Layouts by Number of Contacts

Face view of Pin Inserts shown approximately 3/4 actual size.  
Configurations shown are some of the popular arrangements.

		2 CONTACTS				
CONTACTS		10SL-4† 2-#16	12S-3† 2-#16	14S-9† 2-#16	16-11† 2-#16	
RATING		A	A	A	A	
		3 CONTACTS				
CONTACTS		10SL-3† 3-#16	14S-1† 14S-7† 3-#16	16S-5† 3-#16	16-10† 3-#12	20-19† 3-#8
RATING		A	A	A	A	A
		4 CONTACTS				
CONTACTS		14S-2† 4-#16	18-10† 4-#12	20-4† 4-#12		
RATING		INST.	A	D		
		5 CONTACTS				
CONTACTS		14S-5† 5-#16	16S-8† 5-#16	18-11† 5-#12		
RATING		INST.	A	A		
		6 CONTACTS				
CONTACTS		14S-6† 6-#16	18-12† 6-#16			
RATING		INST.	A			

# MIL-C-5015

## Layouts by Number of Contacts

	7 CONTACTS					
	16S-1†	20-15‡	24-10†			
CONTACTS	7-#16	7-#12	7-#8			
RATING	A	A	A			
	8 CONTACTS		9 CONTACTS			
	18-8‡	20-7‡	20-18†	24-11†		
CONTACTS	7-#16 (A-G) 1-#12 (H)	8-#16	6-#16 (A, C, D, E, G, H) 3-#12 (B, F, I)	6-#12 (A-C, G-I) 3-#8 (D, E, F)		
RATING	A	A (C-F) D (A, B, G, H)	A	A		
	10 CONTACTS		14 CONTACTS		17 CONTACTS	
	18-1†	20-27†	22-19†	20-29‡		
CONTACTS	10-#16	14-#16	14-#16	17-#16		
RATING	A (B, C, F, G) INST. (balance)	A	A	A		
	19 CONTACTS		24 CONTACTS		26 CONTACTS	
	22-14‡	24-28†	28-12†			
CONTACTS	19-#16	24-#16	26-#16			
RATING	A	INST.	A			
	35 CONTACTS		37 CONTACTS		48 CONTACTS	
	28-15†	28-21†	36-10†			
CONTACTS	35-#16	37-#16	48-#16			
RATING	A	A	A			